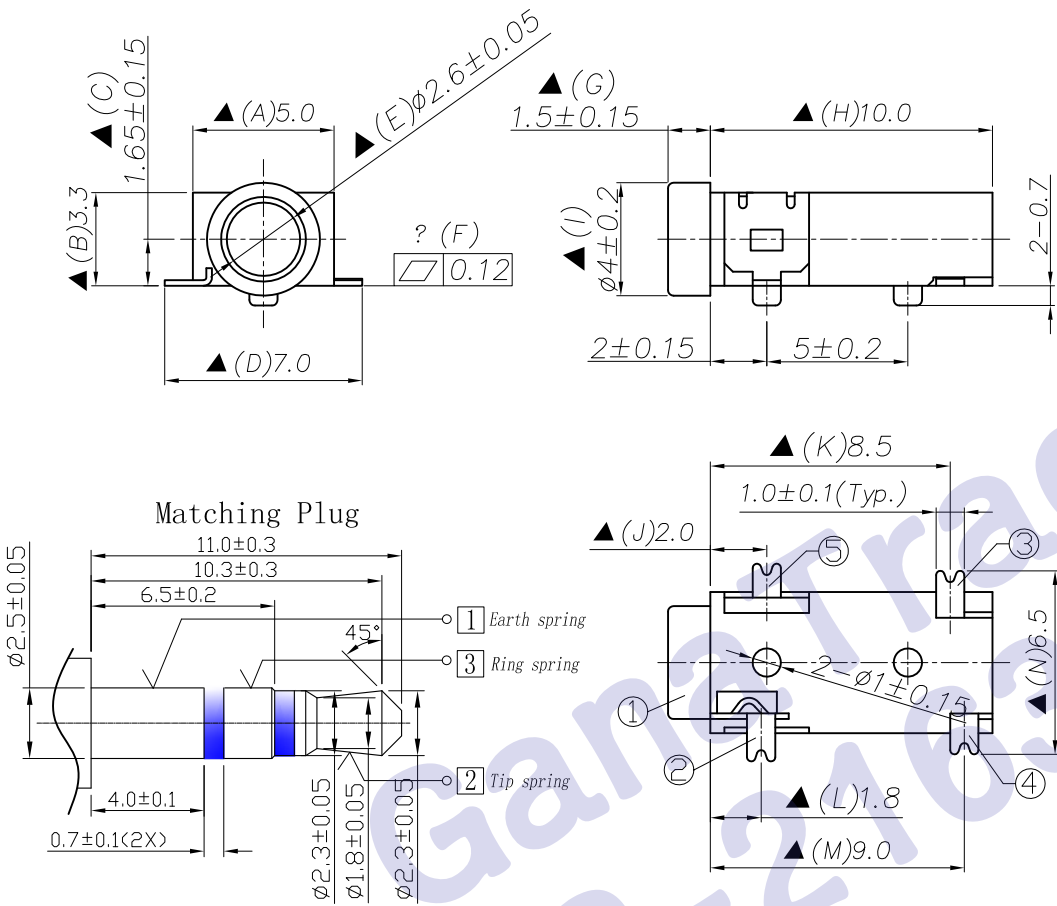
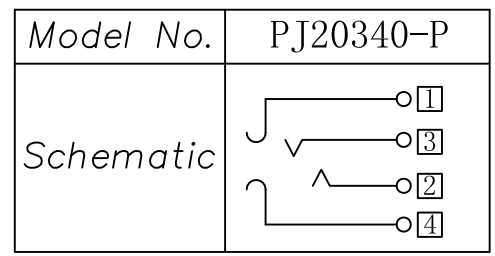


REV. LTR.	DESCRIPTION	SIGN	DATE
	Instead Scheme	CHENBIN	2009.08.20
	Update drawing	Bull. pan	2011.06.30



Ordering information:
PJ20340- P 9T 0A S 00 1
 (1) (2) (3) (4) (5) (6) (7)
 (1):Series No.
 (2):Schematic option: P
 (3):Material of housing:
 9T=PA9T (Standard)
 (4):Housing color:
 Zero 0A=Black (Standard)
 (5):Terminal plating
 S=Silver (Ag) (Standard)
 (6):Special option:
 00=No special option
 (7):Packing mode:
 1=Tape reel packing



- Specification:
- Rating : DC 30V 0.5A.
 - Contact resistance: ≤50mΩ.
After test: ≤100mΩ.
 - Insulation resistance: ≥100MΩ (500VDC).
After test: ≥50MΩ.
 - Withstanding voltage: 500VAC.
 - Insertion and extraction force: 3N~30N.
 - life test: 5000cycles min.
 - Operation temperature range: -20°C~70°C.
 - Preservative temperature range: -40°C~85°C.
 - Sign"▲" is importance dimension.

⑤	Earth spring	④	1	Stainless steel t0.2	PJ20340-04(JA-1018)	Silver plating
④	Ring spring	③	1	Stainless steel t0.2	PJ20340-03(TP-1016)	Silver plating
③	Tip spring	②	1	Phosphor bronze t0.25	PJ20340-02(TP-1017)	Silver plating
②	Earth spring	①	1	Phosphor bronze t0.2	PJ20340-01(JA-1019)	Silver plating
①	Housing		1	PA9T	PJ20340-S1(ST-1015)	Black

NO.	DESCRIPTION	QTY	MATERIAL	PART NO.	REMARK	
UNIT:MM	TYPE:	MODEL NO.:	PAPER NO.:	A4	PAGE 1 OF 1	
⊕	∅2.5 PHONE JACK	PJ20340-P9T0AS001	TOLERANCE	ANGLES	SCALE	VER
			±0.3	±2°	N/A	03

DESIGNER BY: Bull. pan 2011.06.30
 CHECK BY: Matt 2011.06.30
 APPROVED BY: Ocean 2011.06.30

HDC有限公司